

## Conventional Fire Alarm Control Panel SFP 512

### Product features

- 4 Zones Conventional Fire Alarm Control Panel
- Expandable to max. 12 zones
- Complies with EN 54-2 and EN 54-4
- In different languages available

### Extension modules

- 4 Zone Detection Module
- 1 Zone Extinguishing Module (EN 12094-1)
- 4 Relay Output Module (5A/230 V)
- 12 Relay Output Module (1A/30 V)



The SFP 512 is a microprocessor controlled compact modular control unit for fire detection systems. Easy to use and to install, this panel represents one of the best solutions to detect a fire in small installations.

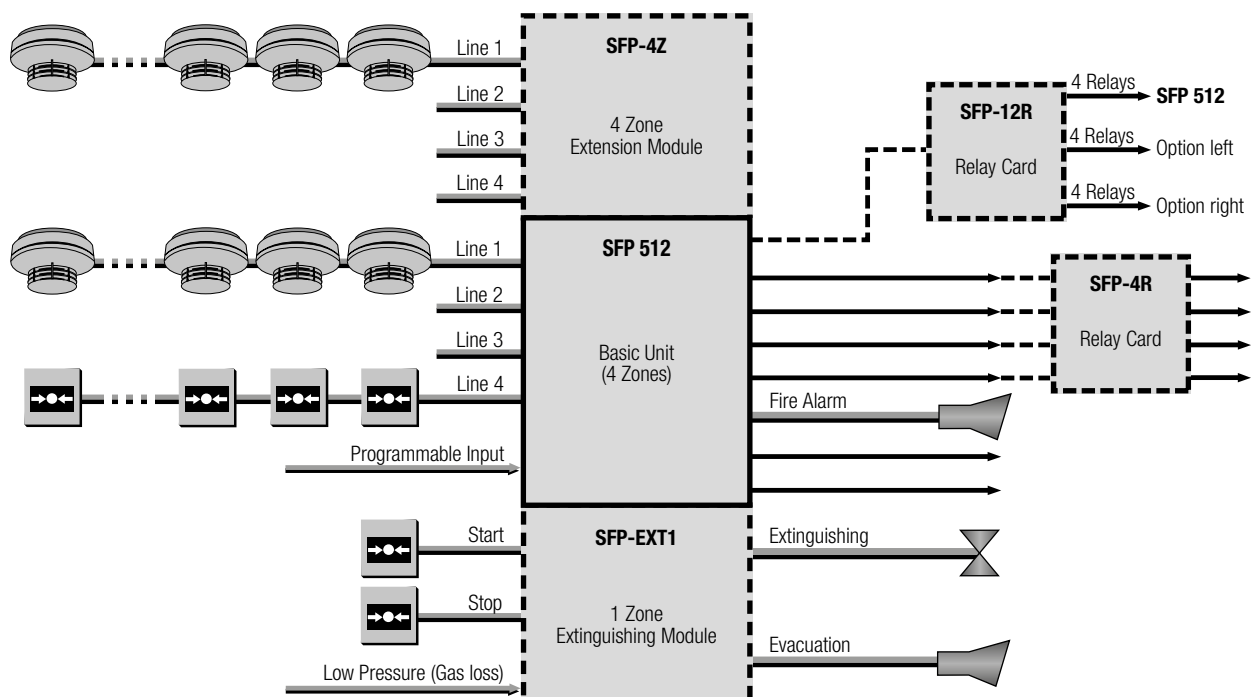
### Description

Securiton's conventional fire alarm control panel SFP 512 is designed for small installations of fire detection systems. The SFP 512 fire alarm control panel complies with the EN 54-2, EN 54-4, and EN 12094-1 standards.

The basic unit features four conventional detection lines and a full fire alarm control panel functionality. The detection zones are expanded to eight or twelve zones, by connecting one or two additional four-zone detection module to the basic SFP 512 unit. Alternatively, the SFP 512 can drive one extinguishing zone with a maximum of eight detection zones at the same time.

The SFP 512 fire alarm control panel is able to run Securiton's conventional detectors. Each line can monitor up to 32 conventional detectors per line. In case of fire alarm, the 1<sup>st</sup> and 2<sup>nd</sup> alarm can be distinguished within one detection zone and separately indicated. The relay output modules can be used to activate or deactivate power signals. The SFP 512 fire alarm control panel is available with different front panel operation languages. The technical documentation is included on a CD-ROM in various languages.

### Architecture SFP 512



### Technical data SFP 512

Housing dimensions (W × H × D)	370 mm × 300 mm × 118 mm
Weight	2 kg (without batteries)
Protection class	IP 31
Ambient operating temperature	-10 °C to +50 °C
Mains voltage and consumption	230 V <sub>AC</sub> , 50–60 Hz, < 75 W
Compliance	EN 54-2 and EN 54-4
Number of detector lines	4/8/12
Number of detectors per line	max. 32
Relay outputs	General alarm and fault, switch over contacts 1 A/30 V <sub>DC</sub>
Open collector outputs	4 outputs 100 mA/50 V <sub>DC</sub>
Output «24 V <sub>DC</sub> Supply»	Power output protected with polyswitch, 24 V <sub>DC</sub> 400 mA
Input	1 monitored input
Sounders line output	1 monitored output, 24 V <sub>DC</sub> , max. 450 mA
Maximum battery dimension	2 lead-acid batteries, 12 V/7.2 Ah
Colour	Grey RAL 7035

### Technical data extinguishing module EXT-1

Type of actuator: Solenoid; Internal power supply	24 V per 30 s; I <sub>max</sub> = 600 mA
External power supply	24 V per 30 s; I <sub>max</sub> = 1,5 A
Type of actuator: Pyroelectric; Internal power supply	1,2 A per 4 s
External power supply	1,2 A per 4 s
Sounders line output	1 monitored output, 24 V <sub>DC</sub> , max. 500 mA
Compliance	EN 12094-1

### Technical data 4 relay module

Relay outputs	4 potential free, switch over contacts, 230 V <sub>AC</sub> /5A
---------------	---

### Technical data 12 relay module

Relay outputs	12 potential free, normally open or normally closed contacts 30V/1A
---------------	---

### Product summary SFP 512

Fire alarm panel (without batteries)		Part No.
SFP 512 E	Small Fire Panel, 4 Zones, English Version, EN 54	6000014-0301
SFP 512 I	Small Fire Panel, 4 Zones, Italian Version, EN 54	6000014-0302
SFP 512 S	Small Fire Panel, 4 Zones, Spanish Version, EN 54	6000014-0303
SFP 512 P	Small Fire Panel, 4 Zones, Portuguese Version, EN 54	6000014-0304

### Extension modules

SFP-4R	4 Relay Output Module for alarm repetition	6800082
SFP-12R	12 Relay Output Module for alarm repetition	6800083
SFP-4Z E	Extension Board, 4 Zones, English Version	6000015-0301
SFP-4Z I	Extension Board, 4 Zones, Italian Version	6000015-0302
SFP-4Z S	Extension Board, 4 Zones, Spanish Version	6000015-0303
SFP-4Z P	Extension Board, 4 Zones, Portuguese Version	6000015-0304
SFP-EXT1 E	Extinguishing Zone Board, English Version	6000016-0301
SFP-EXT1 I	Extinguishing Zone Board, Italian Version	6000016-0302
SFP-EXT1 S	Extinguishing Zone Board, Spanish Version	6000016-0303
SFP-EXT1 P	Extinguishing Zone Board, Portuguese Version	6000016-0304

### Conventional detectors

SCD 563	Smoke Criteria Detector	5000611-0111
TCD 563-1	Temperature Criteria Detector, class A1	5100165-0111
TCD 563-2	Temperature Criteria Detector, class A2	5100165-0112
TCD 563-3	Temperature Criteria Detector, class B	5100165-0113
MCP 521-1N	Manual Call Point, red, IP24, surface mount	238023

### Detector sockets (for all SCD and TCD detectors)

USB 501-2	Socket for flush mounting in hollow or lowered ceilings	5000547-0002
USB 501-3	Mounting socket for humid areas	5000547-0003
USB 501-4	Socket for flush mounting in concrete ceilings	5000547-0004
USB 501-6	Surface mounting socket	5000547-0006

Specifications subject to change without notice. Delivery subject to availability.

### Dimensions SFP 512



### SecuriStar® SCD 563



### 4 Zone Detection Module SFP-4Z

